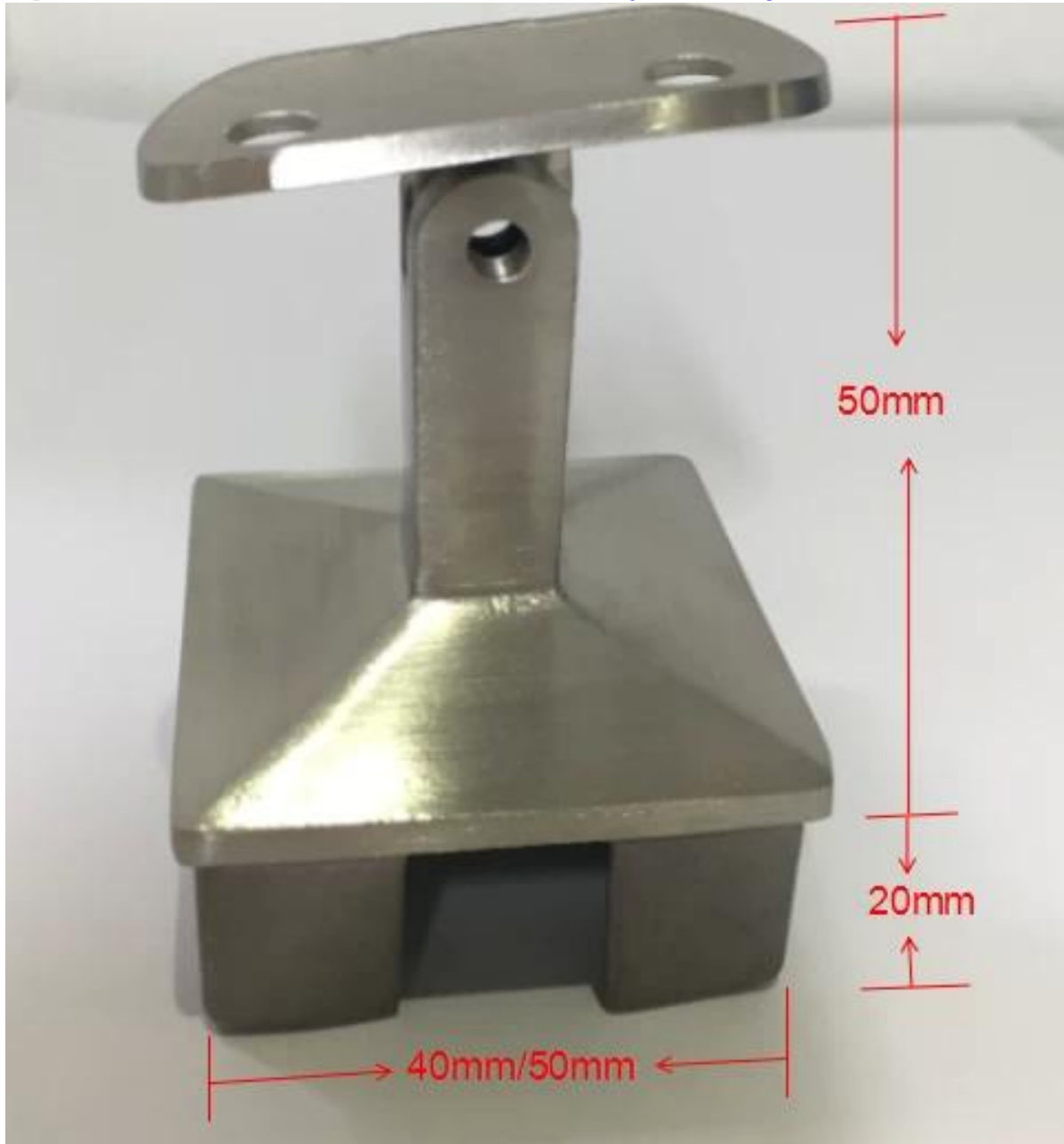


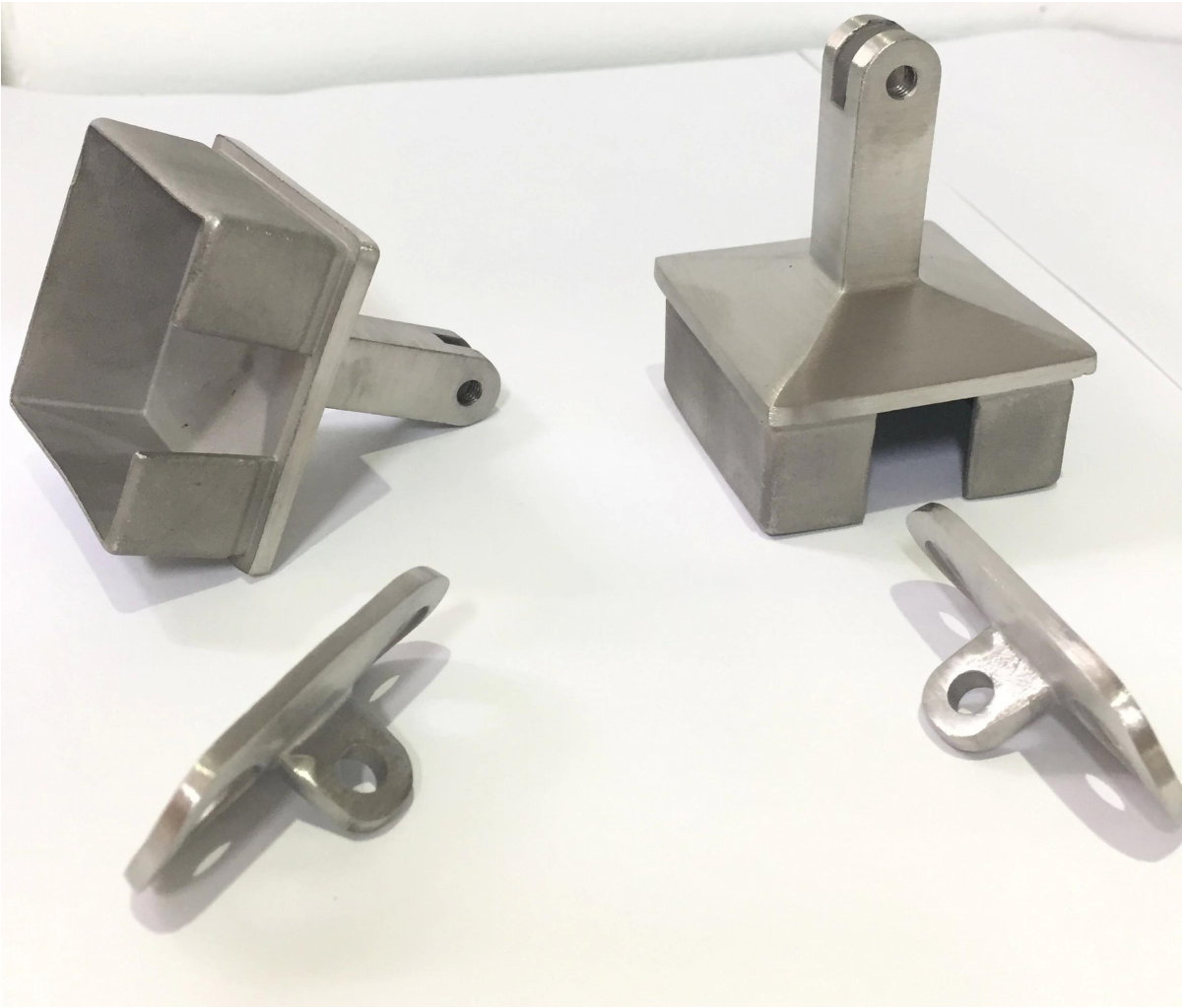
[stainless steel handrail tube bracket adjustable angles](#)

Specs.

1. Material 304/ 316 stainless steel
2. brushed
3. model # NCF-40X
4. to support square 40x40/50x50mm handrail tubes , mounted on stainless steel posts 4x40x1.5mm
5. Made by precision casting

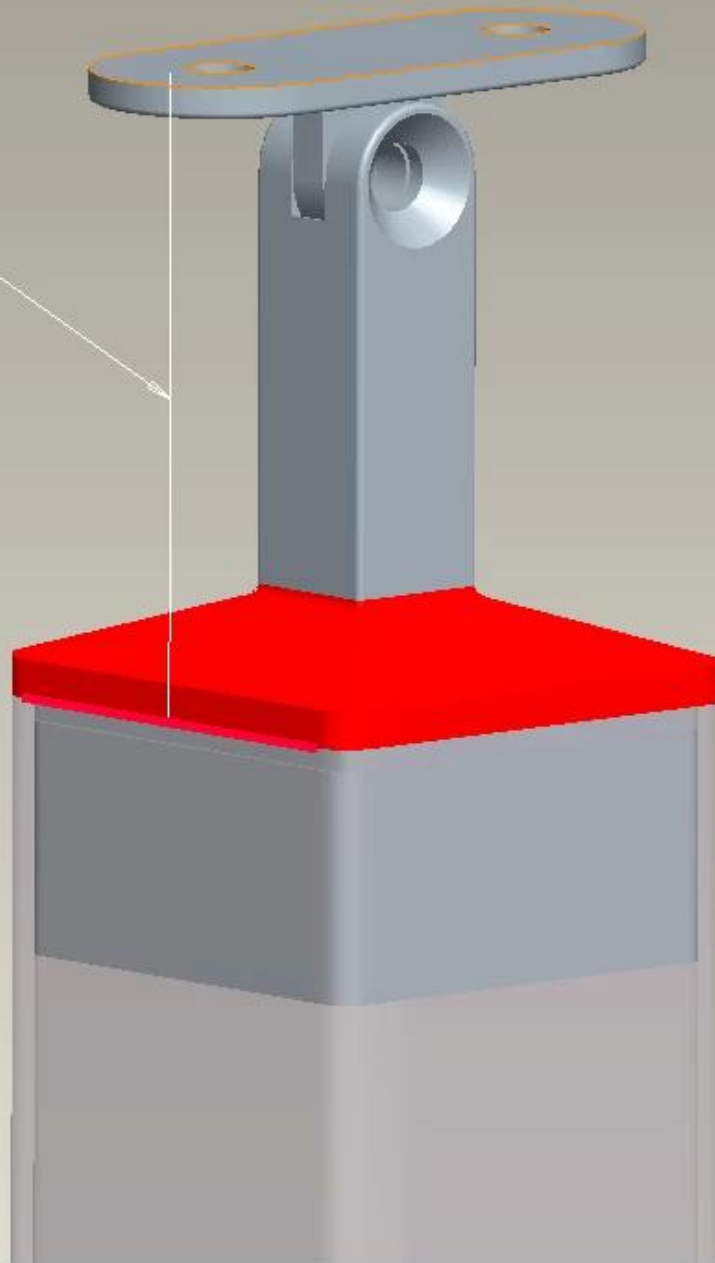
photos for [stainless steel handrail tube bracket adjustable angles](#)

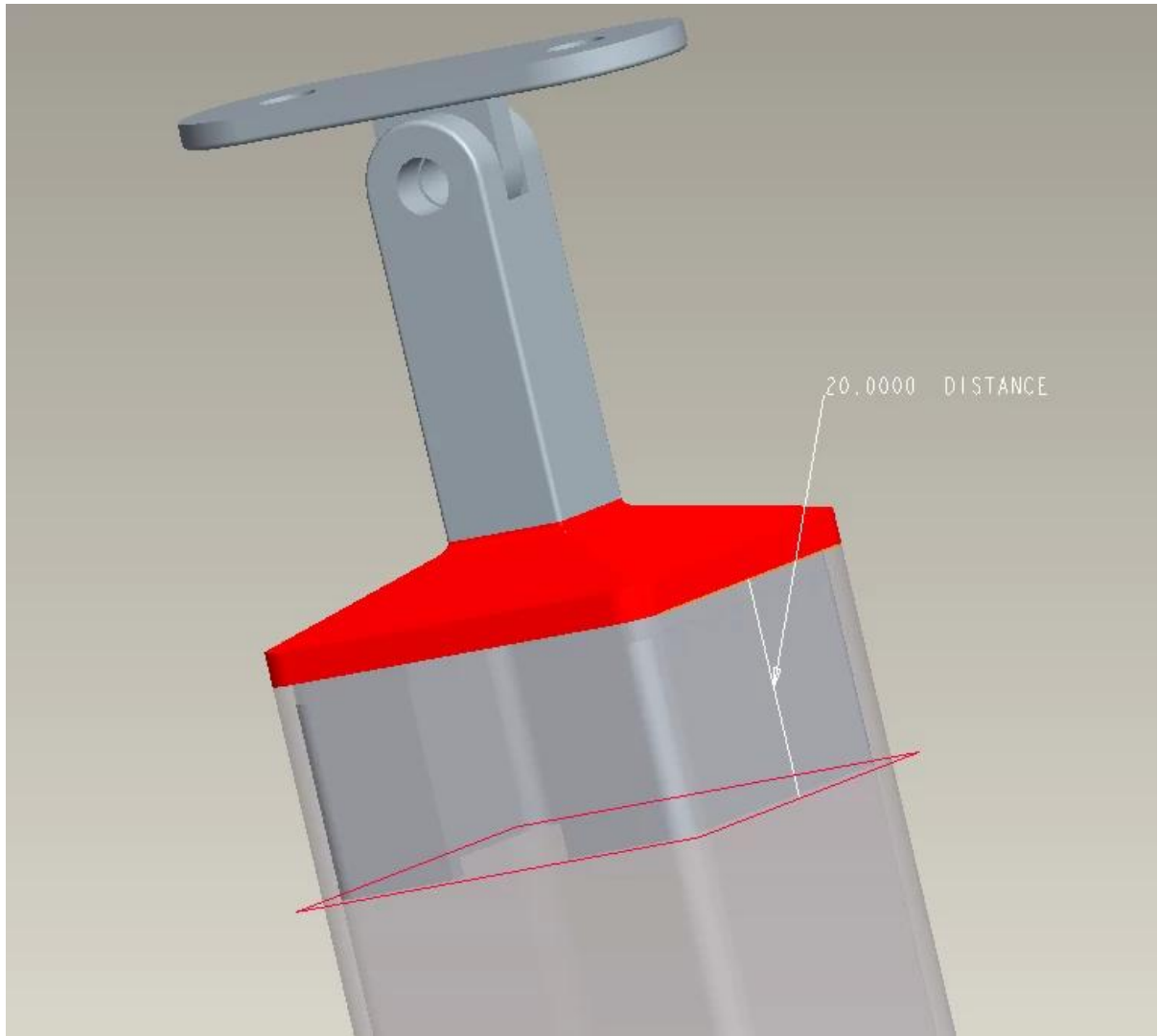


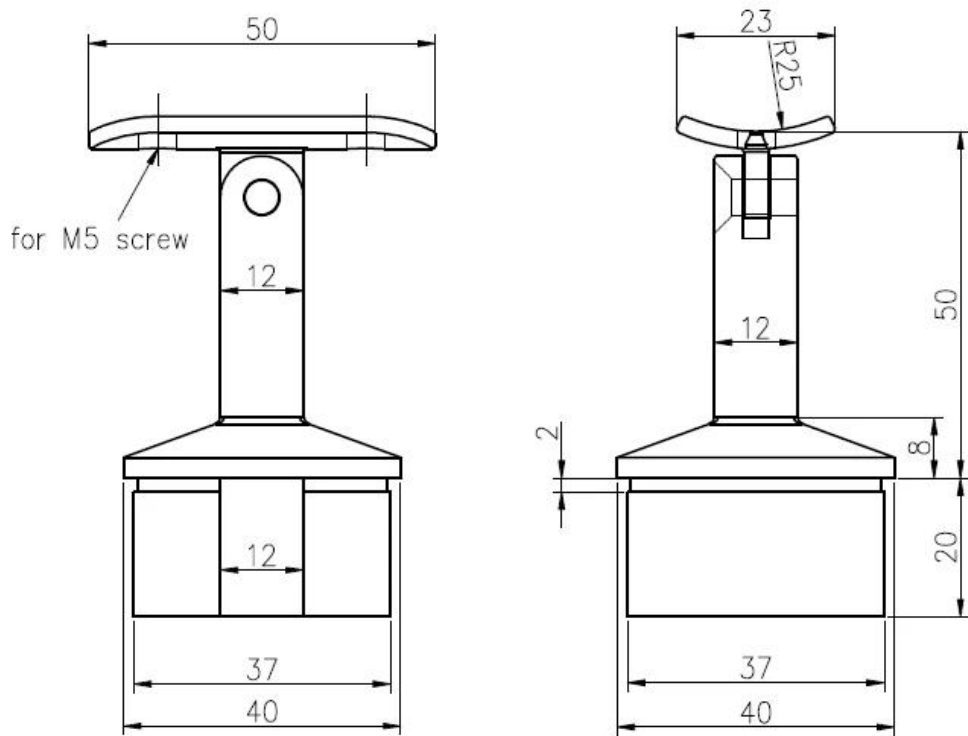


drawing for stainless steel handrail tube bracket adjustable angles

50.0000 DISTANCE







If you are interested in abovestainless steel handrail tube bracket adjustable angles , feel free to send enquiry !