

stainless steel wire rope tensioner cable railing system

1. stainless steel wire rope tensioner description:

Material: stainless steel 304 or 316

For cable diameter: 3/4/5/6mm

Position: balcony, deck, staircase etc

Model No.: T801, T803, T804, T807A, T809

2. Different model stainless steel wire rope tensioner list,

1). T801 cable tensioner



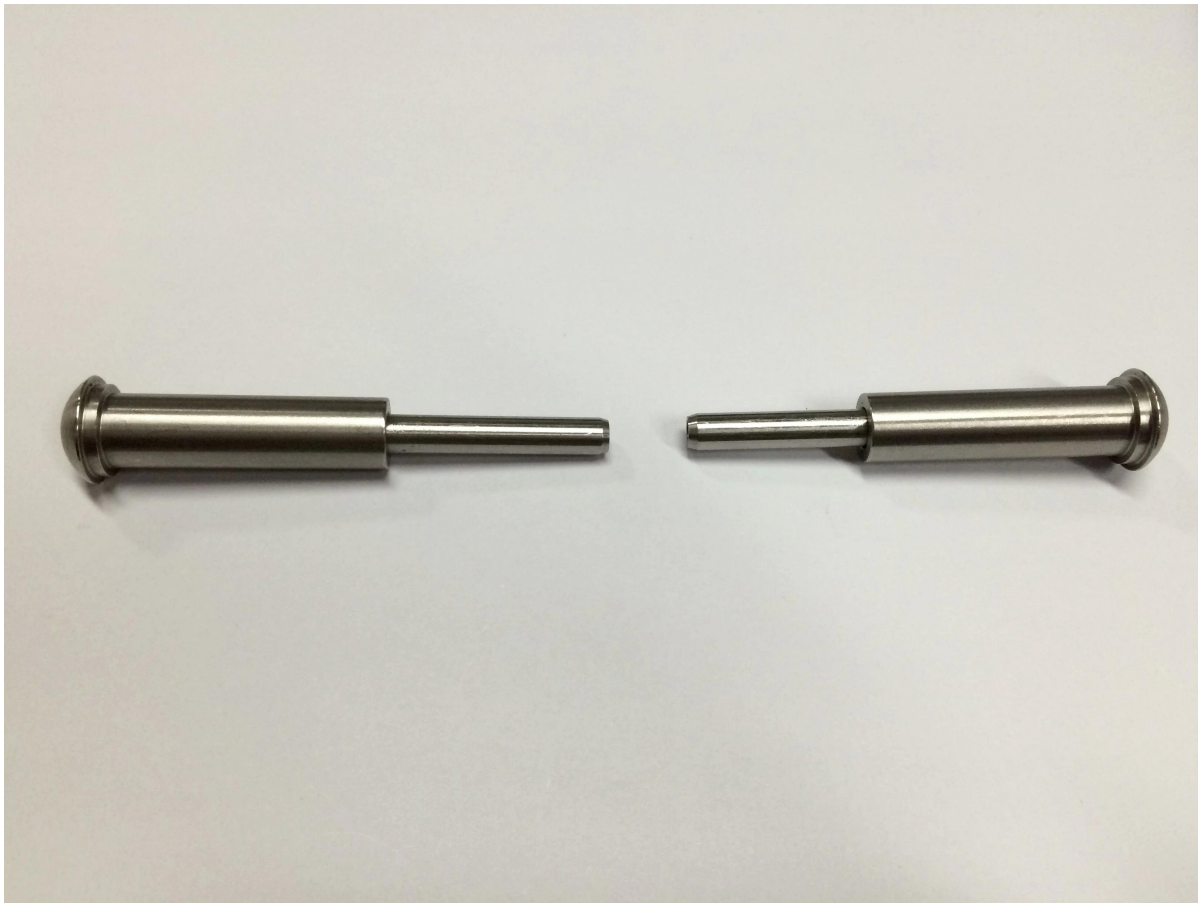
2). T803 cable tensioner



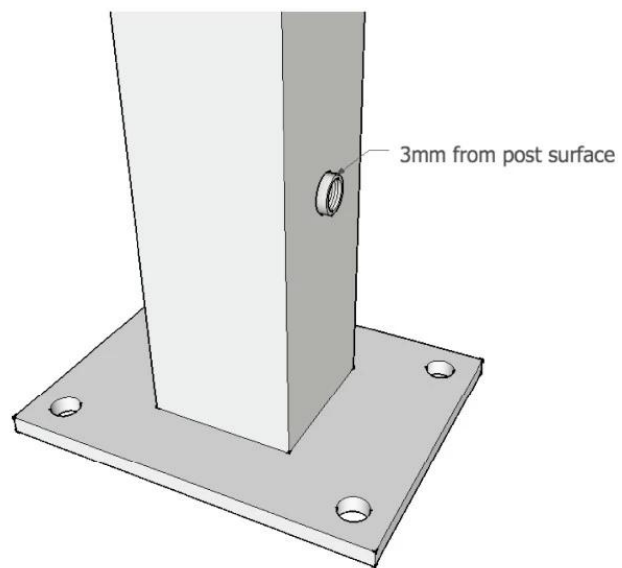
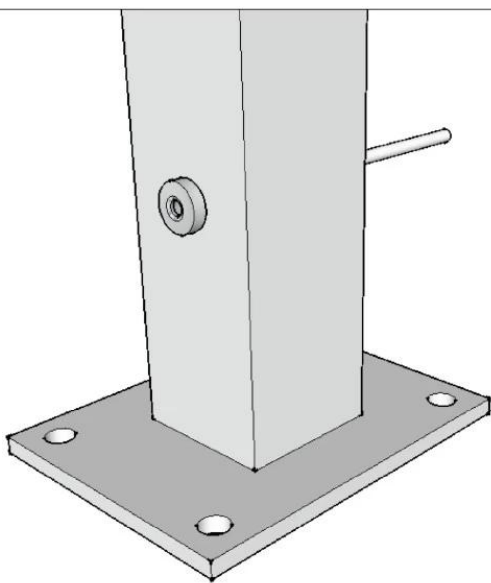
3). T804 cable tensioner



4.) T807A cable tensioner



T807A cable tensioner installation FYI,



5). T809 cable tensioner



3. Cable railing project for your reference.



[Thank you for your visit, any interested or needs, please contact me freely:](#)

Contact: Joey Lan

Skype: launch-02 .

E-mail: sales02@launch-china.cn .