

Why choose SHENZHEN LAUNCH ?

SHENZHEN LAUNCH is verified by SGS , all the hardwares from our company are verified with excellent quality.

Alibaba.com Gold Plus Supplier

Main Product Lines Verification Report

Presented to

Shenzhen Launch Co., Ltd.

深圳市朗驰商贸有限公司

Company Address	B5003, Building 3, Yilida Building, No. 1092 Nanshan Avenue, Dengliang Community, Nanshan Street, Nanshan District, Shenzhen City, Guangdong Province, China
Consigner of Assessment:	Alibaba
Gold Supplier Member ID:	launch168
Gold Supplier Company Name:	Shenzhen Launch Co., Ltd.
Contact Person:	Mr. Binfeng Gao
Phone Number:	0086-13802569770
Fax Number:	0086-755-86372611
Email:	gbf999@china.com
Website Address (URL):	http://launch-china.en.alibaba.com

*Service Provided by SGS
Report No.: 19536352_P+T*





Cutting Machine	XN	4	3	Acceptable
Laser Cutting Machine	MPS-3015D	1	2	Acceptable
4.5M CNC Processing Center	PRATIC	1	3	Acceptable
CNC Processing Meter	JNC	8	3	Acceptable
Shearing Machine	6X2500	2	3	Acceptable
Bending Machine	AG-1030II	4	3	Acceptable
Punching Machine	N/A	36	6	Acceptable
Coating Line	N/A	1	1.5	Acceptable
Lathing Machine	N/A	1	6	Acceptable
Grinding Machine	LITAO	4	6	Acceptable
Milling Machine	TONG ZHENG	2	6	Acceptable
Welding Machine	N/A	5	5	Acceptable
Tube Processing Machine	N/A	2	5	Acceptable
Cutting Machine		Laser Cutting Machine		4.5M CNC Processing Center
				
CNC Processing Meter		Shearing Machine		Bending Machine
				
Punching Machine		Coating Line		Lathing Machine
				

Report No:	19536352_P+T	Report Date:	09/Oct./2019	Assessed By	Wlof Wang
CONFIDENTIAL		All Rights Reserved		Page No:	6 of 10

stair railing 1/2" glass side mount glass standoff bracket
popular design for interior railing applications .

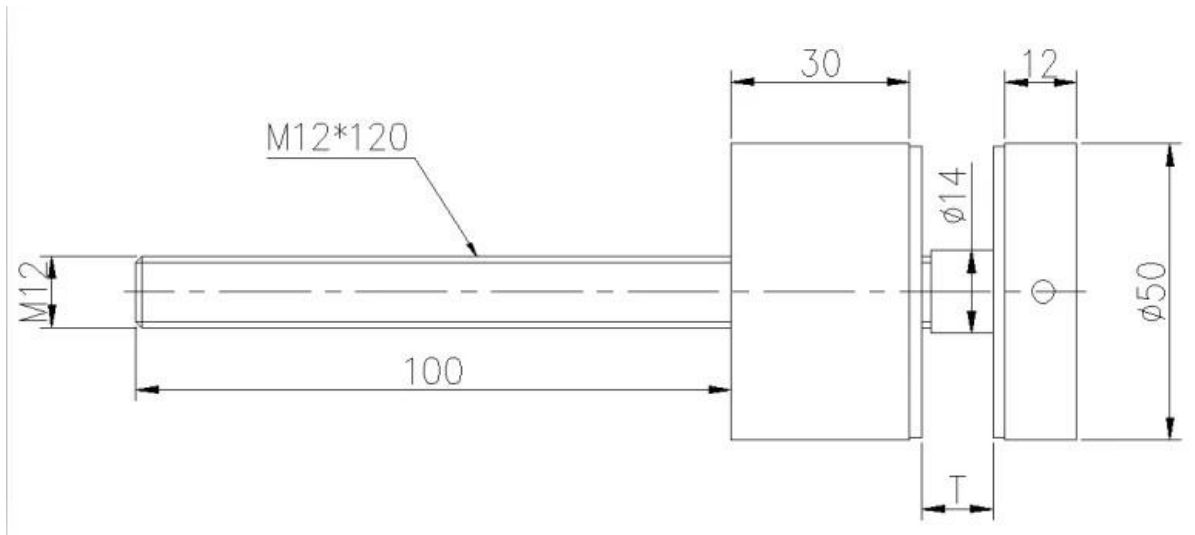
1. Specifications for glass standoff bracket -

1. Model # SF-50
2. DIA 50mm
3. For 10-19mm thickness glass
4. MOQ 10 pcs
5. with M12*120 BOLT for concrete mount or M12*72 wood screw for wood mount
6. USD 7.1/ pc based on 100+ pcs

2. Photos of stair railing 1/2" glass side mount glass standoff bracket



3. drawing for SF-50



4. More models of standoff bracket -



Part No.	Material	Finish	Body	Bolt size
▪ SF-30	▪ AISI 304 ▪ AISI 316	▪ Satin ▪ Mirror	▪ 30x10; 30x25mm	▪ M10x120 bolt ▪ M10x72 wood screw ▪ M8x100 bolt ▪ M8 x72 wood screw
▪ SF-40			▪ 40x10; 40x30mm	
▪ SF-50			▪ 50x12; 50x30mm	
▪ SF-50A			▪ 50x12; 50x50mm ▪ silicon rubber gasket included	



Part No.	Material	Finish	Body	Bolt size
▪ SF-38Z	▪ AISI 304 ▪ AISI 316	▪ Satin ▪ Mirror	▪ hollow type ▪ 38x7.5; 38x38mm ▪ silicon rubber gasket included	▪ M8x70 hexagonal screw



Part No.	Material	Finish	Body	Mounting plate size
▪ SF-50T	▪ AISI 304 ▪ AISI 316	▪ Satin ▪ Mirror	▪ 50x10; 50x30mm ▪ silicon rubber gasket included	▪ 200x100x10mm