

Stainless steel cable railing hardware swageless type cable fitting for stair cable railings .

Features of cable railing hardware-

1. Model # T803
2. SWAGELESS type cable fitting , no need hrdraulic crimpers
3. for 4mm 5mm 6mm cables
4. 1 set T803 = 2 pcs , 1 pc with normal thread , the other pc with reverse thread
5. MOQ 10 pairs
6. 316 stainless steel
7. satin or mirror finish

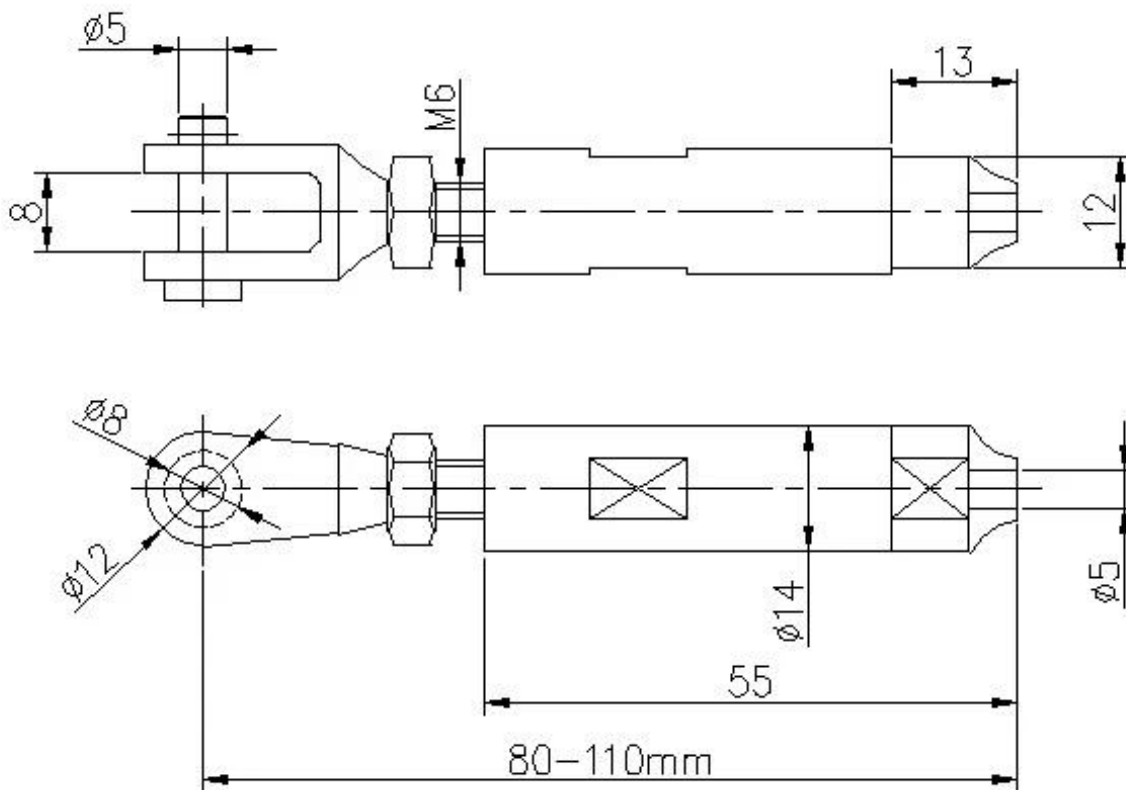
Photos of cable railing hardware -







Drawing of cable railing hardware T803



Packaging of cable railing hardware-

Packing



Project show-

Project Photos

