

Shenzhen launch manufactures 316 stainless steel solid glass standoff bolt both wood mount and concrete mount .

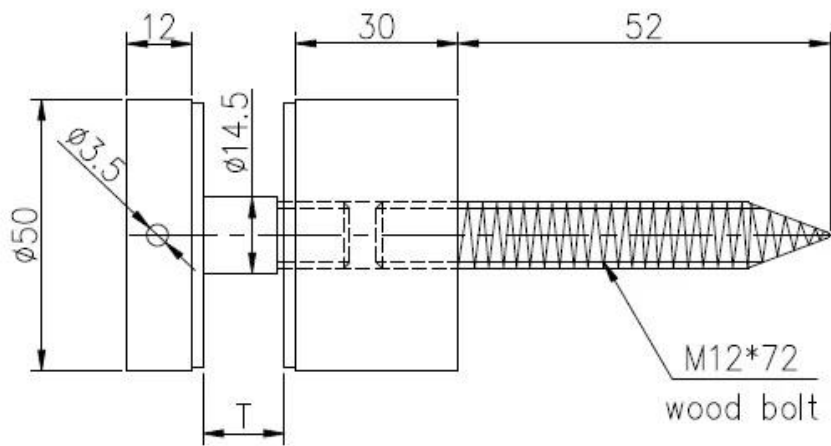
Below is specs for wood mount glass standoff bolt .

1. material 316 stainless steel anti-rust
2. brushed finish easy to maintain
3. 50mm dia
4. 50*12mm cap
5. 50*30mm body
6. M12*72 wood screw

photo for wood mount glass standoff



drawing for wood mount standoff bolt



深圳市朗馳商賈有限公司 SHENZHEN LAUNCH CO., LTD.				Surface treatment		Proport:
Design	Jacky	Drawing NO: SF-68		Material		1:1
Check		Name: Standoff		No note of entity size tolerance		
Craft				Linear tolerance	X	±0.1
					X.X	±0.1
Quantity	Total	Page	Audit		X.XX	±0.1
				Revision:	X	±1°
					X.X	±0.5°
				VO01		

Project photos .

balcony railing designs wood mount 12mm glass
standoff bolt 316 stainless steel



Pool fence area wood mount 12mm glass standoff bolt 316 stainless steel



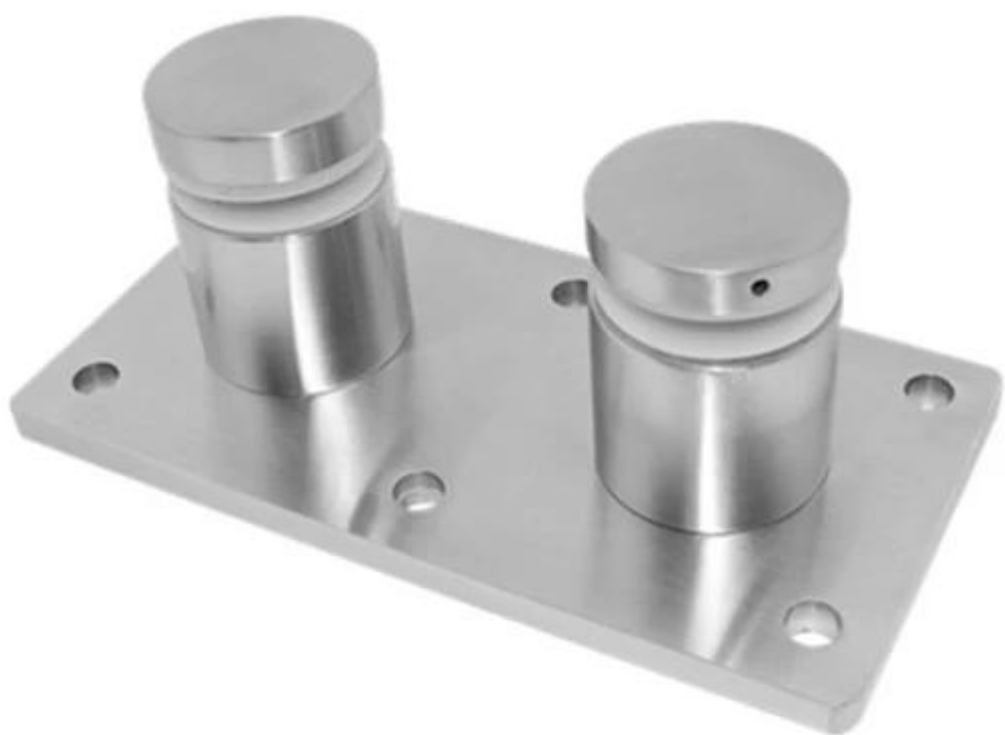
Staircase glass railing wood mount 12mm glass standoff bolt 316 stainless steel



We also have glass standoff mount to concrete ,
please check out below and click open for more
details .



And
standoff with base plate 100*200mm , very stable
design



SF-50 T