

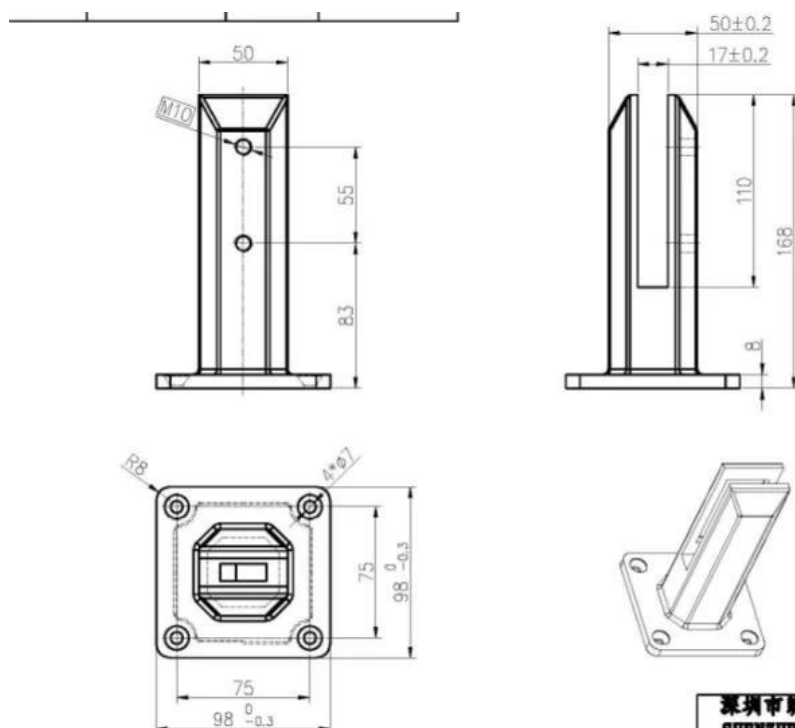
Braçadeira de torneira de vidro para corrimão de escada de aço inoxidável duplex 2205 para 10-12mm sem moldura de vidro grades.

#Recursos da braçadeira de torneira de vidro

| | |
|------------------------------|----------------------------------------|
| Modelo No. | SBM |
| Item | Braçadeira de torneira de vidro |
| Material | Duplex 2205 |
| Terminar | cetim, espelho, preto |
| Altura | 168 mm |
| tamanho do corpo da torneira | 50 * 50mm |
| Peso | 1,43 kg por pc |
| Embalagem | 1 pc em uma caixa, 12 pcs em uma caixa |
| Espessura do vidro | 10-14mm |
| MOQ | 2pcs |

#Desenhos da braçadeira de torneira de vidro

DESENHO PARA SBM-



| | | | | |
|------------------------------------------|------------|----------|------|-------|
| 深圳市朗驰商贸有限公司 SHENZHEN LAUNCH CO., LTD. | | 表面处理 | | 比例 |
| 设计 | 裴佳辉 | 材料 | 316 | 1:2.5 |
| 校对 | 图号: SBM | 未注实体尺寸公差 | | |
| 工艺 | 名称: Spigot | X | ±0.1 | |
| 审核 | ◎ | 线性公差 | XX | ±0.1 |
| 批准 | 版次 | XX | ±0.1 | |
| | V001 | 角度公差 | X | ±1° |
| | | | XX | ±0.5° |

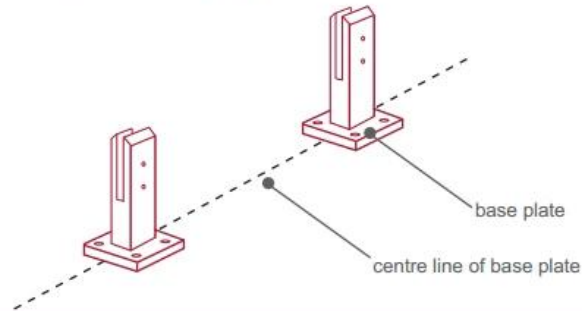
#Instalação guiada da braçadeira de torneira de vidro



fixing method: base plate spigots

Mark out the centre line of proposed glass fence with a chalk line. Determine clamp location based on a sheet size (recommendation on pages 1 & 2). Use base plate as a template to mark out the hole positions and drill holes to suit.

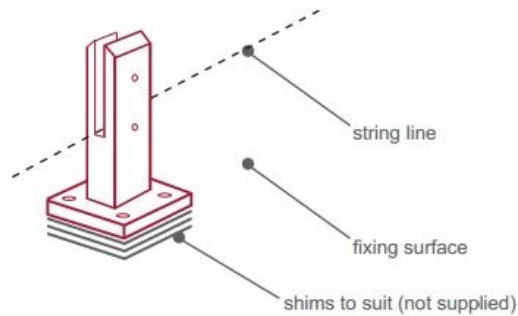
Note: Do not exceed 100mm gaps between glass panels. Optimum gap is 40mm to 60mm



Now the base plated spigots can be fitted to the floor and plumbed via shims (not supplied) under the base plates. Be sure to tighten firmly as the smallest of movement at the base plate will result in noticeable movement at the bottom of the glass fence.

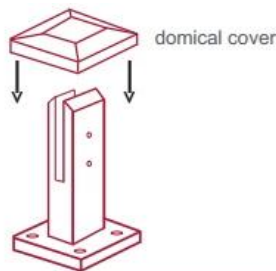
Tip: By setting the two outer spigots of your total span, a string line can be run in the 'throat' of the spigots, giving correct height for all spigots in between

Note: Do not exceed 100mm gap from the fixing surface to the bottom of the glass



When all spigots are installed, slip domical cover the top of the spigot to hide fixings. It will be necessary to turn the adjustment screws on the spigot face all the way in to allow cover to pass over

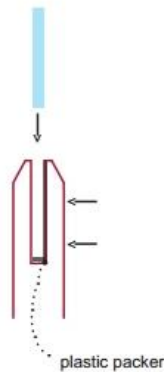
Note: Same installation method applies to round base plate spigot



The glass is then installed to the spigots. Place plastic packers between glass & spigot, at no stage should glass touch the metal

How adjustability works:

1. Place glass in spigot
2. Fix/ tension glass both sides with allen key



#ProduçãoEmbalagemdobraceira de torneira de vidro





#Projetogalariesdobraceira de torneira de vidro









SHENZHEN LAUNCH CO., LTD