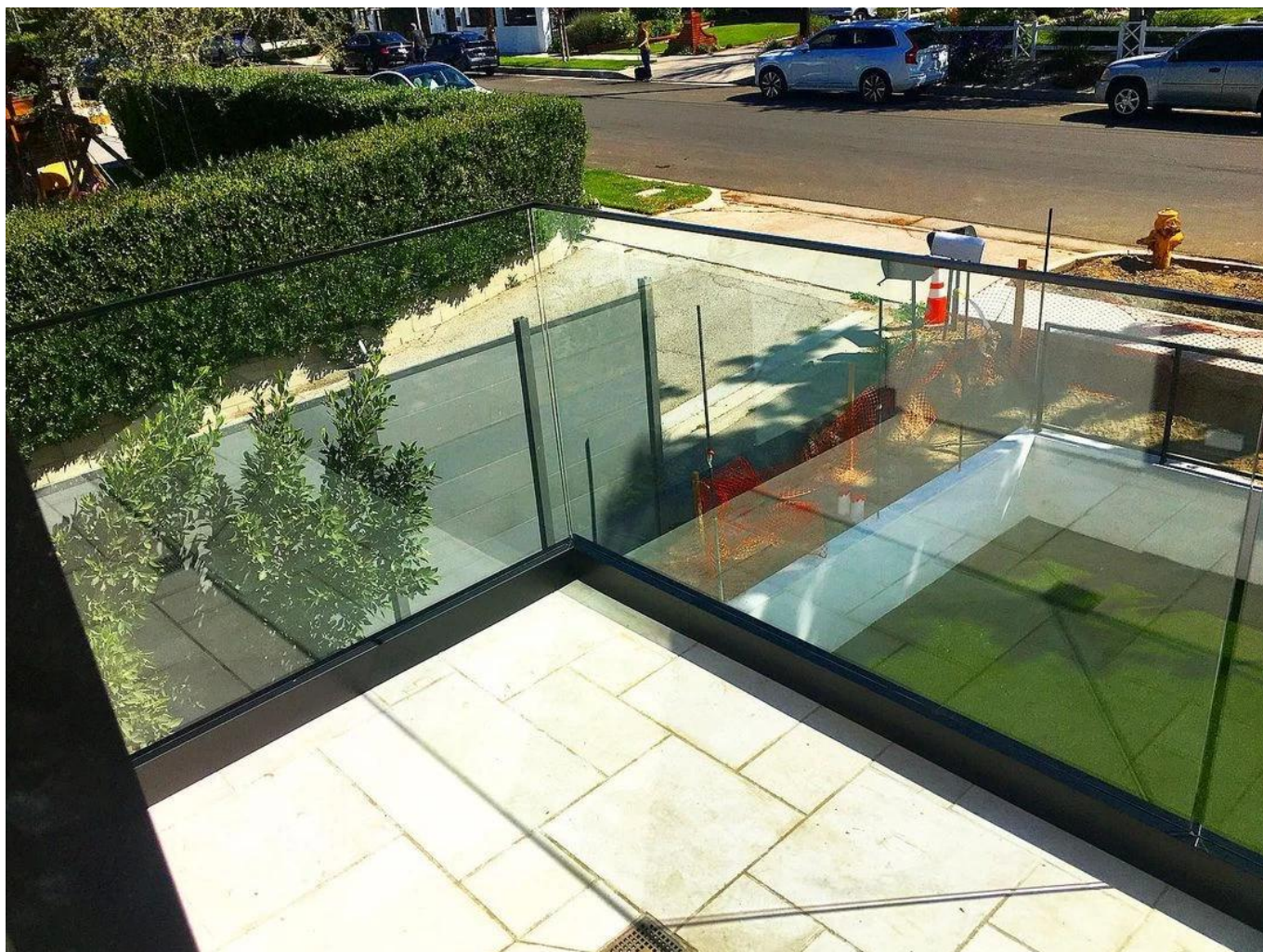


**Venda quente de vidro sem moldura trilhos preto alumínio u canal com trilho superior com slotted**







**Balustra Balustrada Balustrada Alumínio U Canal Glass Treining Hardware**



**1m aluminum channel contains the following accessories**



Waterproof tape  
2 meters



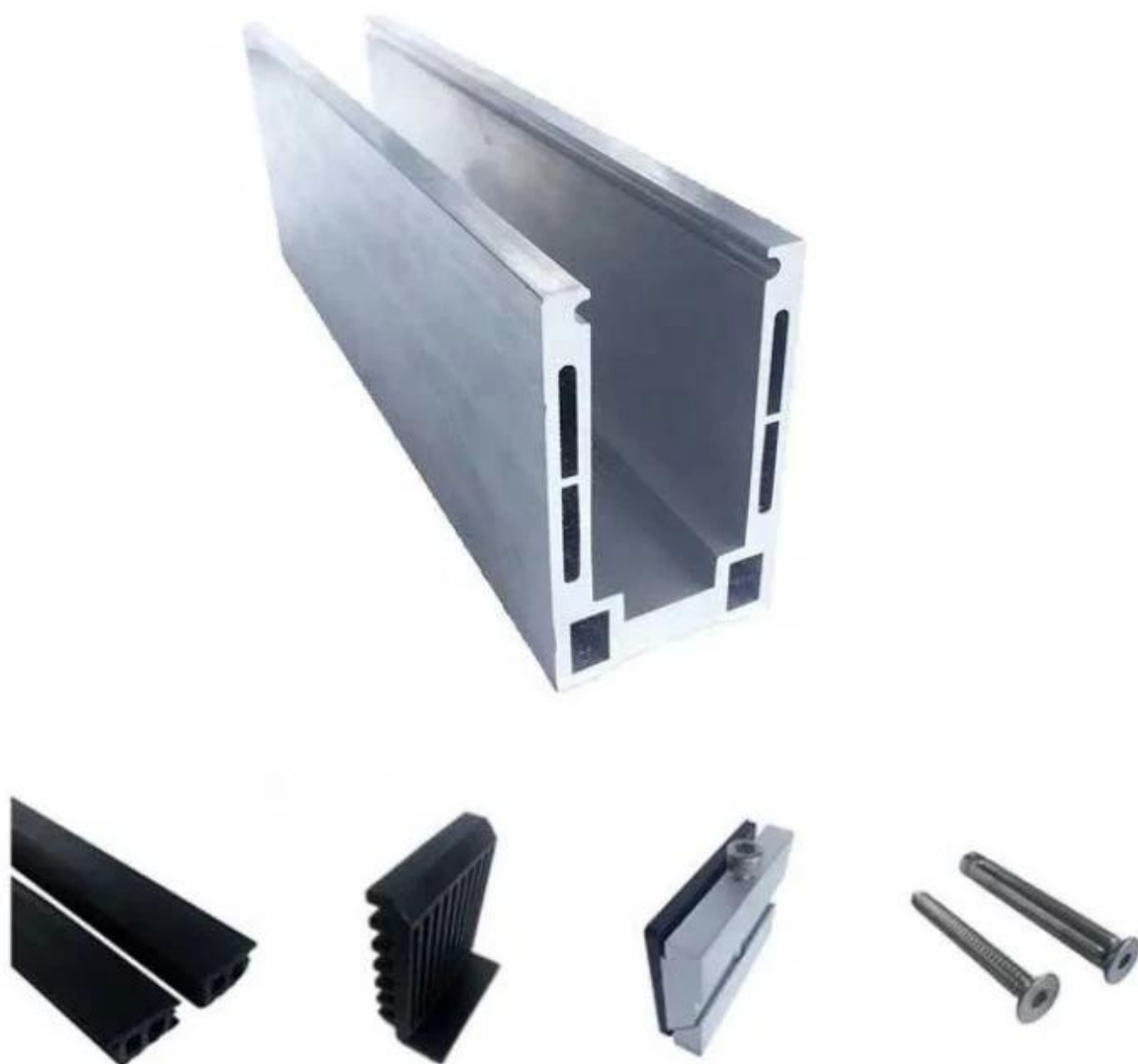
Aluminum and plastic fittings  
3 sets



Expansion bolts  
3 pieces

**Especificações de trilhos de vidro de alumínio:**

Parte de trilhos - porão	MATERIAL	Dimensão (mm)	Superfície terminada	Espessura de vidro adequado (mm)
U Perfil de canal / u	Alumínio A.lloy.	102 * 62.	Tinta de anodização / pulverização	12-13.52.
		102 * 67.		8 + 1,52 + 8
		102 * 70.5.		10 + 1,52 + 10
Sistema interno e parafuso	3 ou 4 metros por comprimento			
Revestimento	SUS 304 / SUS 316	102.	Escovado / espelho	/
Borracha	Plástico	Vários	Preto	Todo



**Base de alumínio u perfil para balaustrada de vidro na cor preta:**



**Disponível Modelos:**

LCH-A01 / A02: sem / com revestimento para uso com vidro de 20mm a 21,52mm

**LCH-A01**



20 mm to 21.52 mm tempered glass

1 m aluminium groove contains the following accessories (excluding glass)



Aluminum trough 1 m    Waterproof tape 2 meters    Aluminum plastic fittings 3 sets    Expansion screws 3 pieces

**LCH-A02**



20 mm to 21.52 mm tempered glass

1 m aluminium groove contains the following accessories (excluding glass)



Aluminum trough 1 m    Decorative cover 2 meters    Aluminum plastic fittings 3 sets    Expansion screws 3 pieces

LCH-B01 / B02: sem / com revestimento para uso com 16 mm a 17.52mm



**LCH-B01**



16 mm to 17.52 mm tempered glass

1 m aluminium groove contains the following accessories (excluding glass)



**LCH-B02**



16 mm to 17.52 mm tempered glass

1 m aluminium groove contains the following accessories (excluding glass)



**LCH-C01 / C02: sem / com revestimento para uso com vidro de 12mm a 13,14mm**

**LCH-C01**



12 mm to 13.14 mm tempered glass

1 m aluminium groove contains the following accessories (excluding glass)



**LCH-C02**



12 mm to 13.14 mm tempered glass

1 m aluminium groove contains the following accessories (excluding glass)



**LCH-D01 / D02: sem / com revestimento para uso com vidro de 12mm a 13,14mm**

LCH-D01



12 mm to 13.14 mm tempered glass

1 m aluminium groove contains the following accessories (excluding glass)



Aluminum trough 1 m



Waterproof tape 2 meters



Aluminum plastic fittings 3 sets



Expansion screws 3 pieces

LCH-D02



12 mm to 13.14 mm tempered glass

1 m aluminium groove contains the following accessories (excluding glass)



Aluminum trough 1 m



Decorative cover 2 meters

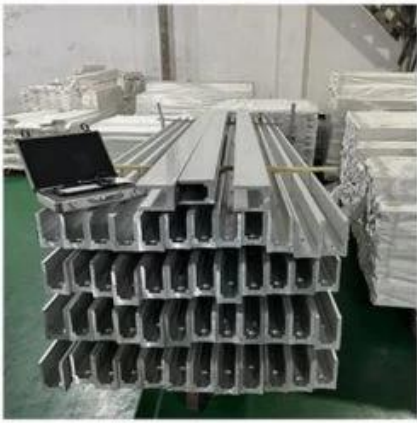


Aluminum plastic fittings 3 sets

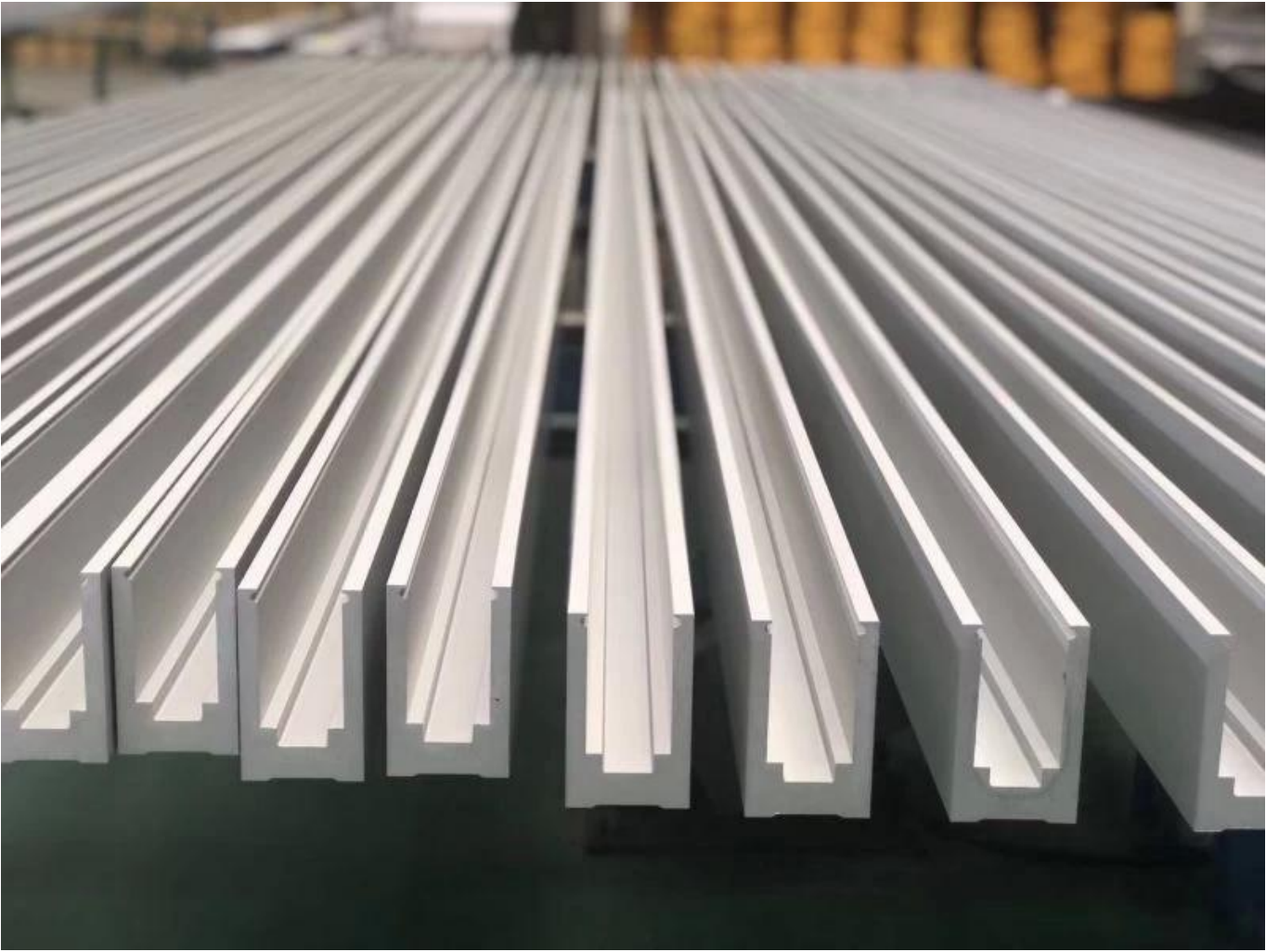


Expansion screws 3 pieces

**Produção em massa e embalagem**













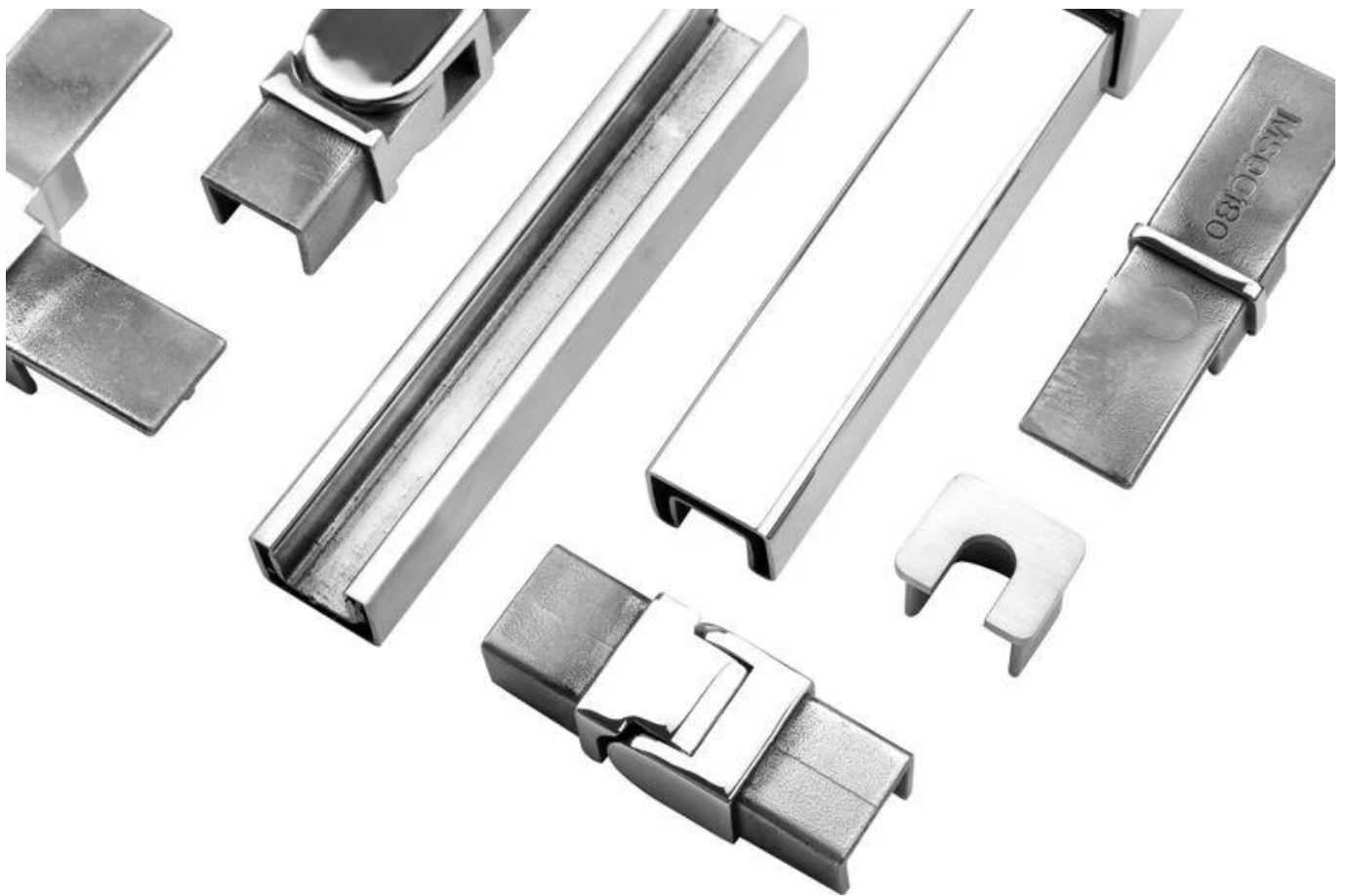






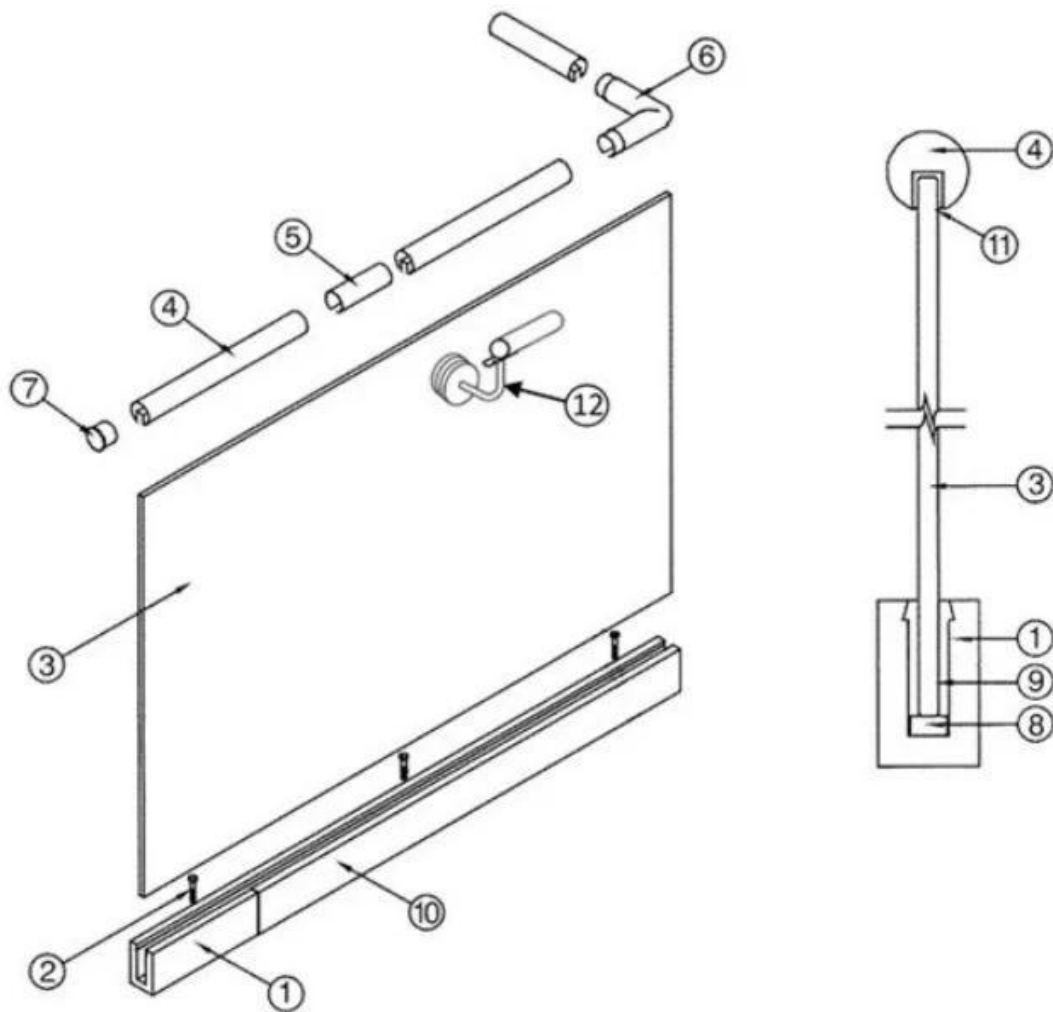
**Corrimão do tubo do slot:**





**KEBIL** 科比奥®





- |  |  |
|--|--|
| 1. Aluminum Railing Base   | 7. End Cap   |
| 2. Stainless Cap Screw   | 8. Setting Block                                     |
| 3. ½" Tempered Float Glass   | 9. Expansive Cement                                  |
| 4. Top Rail  | 10. Cladding   |
| 5. Splice  | 11. Protective Insert                                |
| 6. Corner fitting<br>(Horizontal Shown Vertical<br>Also Available) | 12. Handrail Brackets and Fittings<br>Also Available |

**Entre em contato agora para mais informações:**

**Wendy: sales04@launch-china.cn.**

**Móvel / whatsapp: +8615989339827**