

Стекло втулка SBM Введение:



SBM

Размеры:

Высота: 168мм;

Ширина: 50мм выстрел;

Высота паза: 110 мм;

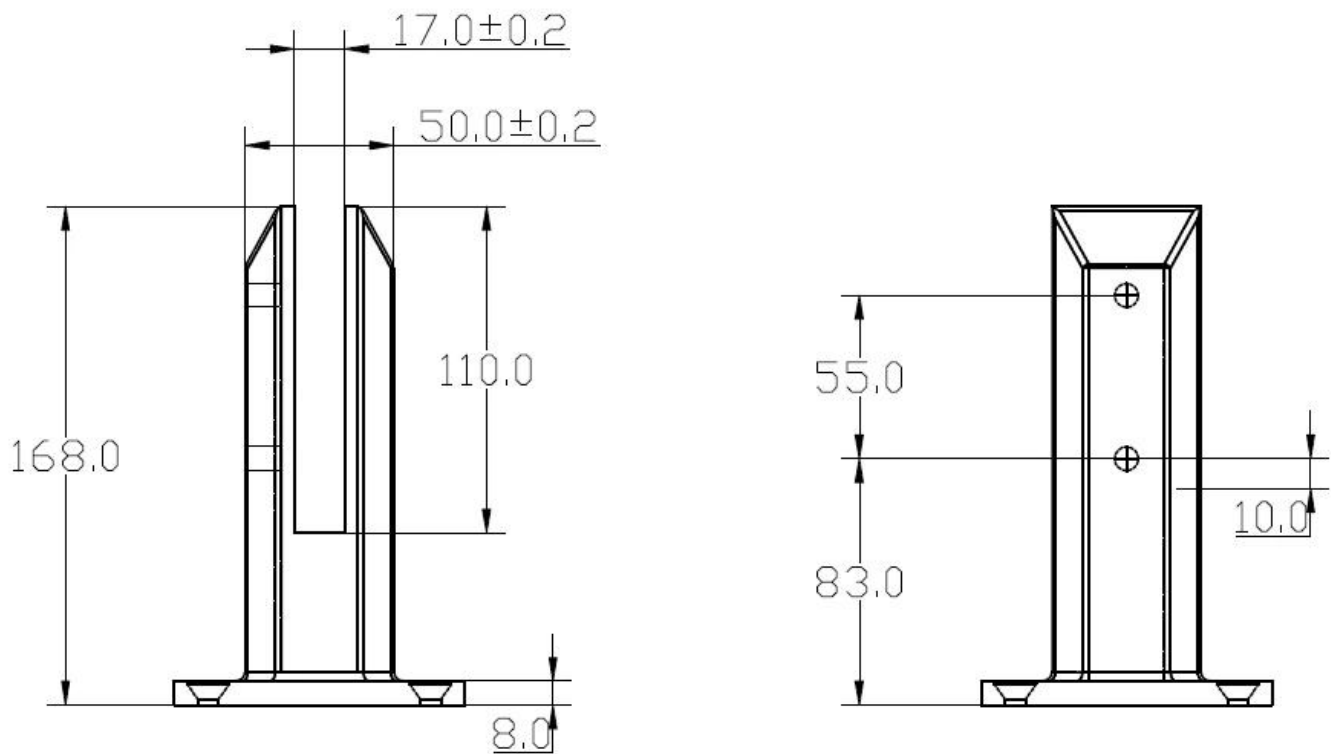
Groove вниз: 58 мм;

Диаметр основания: 98мм;

Диаметр Накладка: 100 мм;

2 x M8 grub screws, SS316 pressure plate, special high quality кремнийорганическая резина прокладка.

100mm diameter dress ring/ cover plate to suit the round spigot for hiding visual fixings (cover plate must be used with installation).



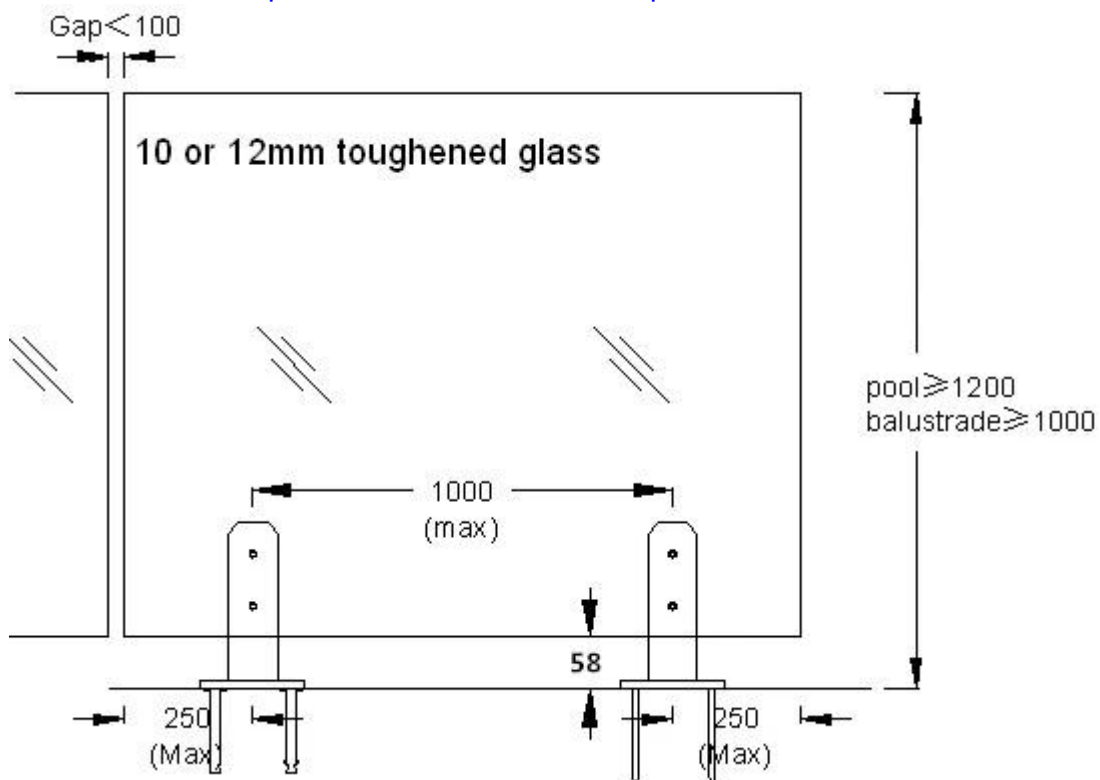
Материал:

Marine grade 316 Stainless Steel material to maximize the products life and appearance. This premium quality material is low carbon, антикоррозионные - tough, durable, excellent resistance to corrosion, suitable for outdoor uses.

Покрытие:

Finished with a fantastic high quality mirror polished finish.

Скачать [Стекло кран SBM технический чертеж](#) здесь.



Стекло втулка SBM Характеристика:

- 1.Strong friction clamping system for NO HOLE glass, quick and easy to DIY Install. You can put as many clamps as you like along larger panels of glass.
- 2.Glass втулки являются твердыми нержавеющей стали! Не Hollow!
- 3.Suits 10 ИЛИ 12мм закаленное стекло.
- 4.Designed and manufactured according to to Australian Standard for swimming pool fencing safety, Australia Balustrade Standard AS& H3C.

#### Стекло втулка SBM Применение:

Stainless steel glass spigots used for fixing glass of swimming pool fencing walls for outdoor living, antirust and very durable.

Nice-

looking mini posts apply to support 10 or 12mm fully frameless glass for fence in home & garden.

Glass gator clamps for the construction of glass handrails for a beautiful stair balustrade or balcony.

#### Стекло втулка SBM Установка DIY:

- 1.Mark из центральную линию предлагаемого стекла забором.
- 2.Determine spigot location and mark out the hole positions, drill the required holes.
- 3.Bolt the base plated spigot into position using the expansion screws for concrete/pavings/tiles or timber screws for wooden decking.
- 4.Fit крышку перед установкой Безрамное остекление.
- 5.Install the glass to the spigots and tighten the clamp with supplied Allen key.

#### Стекло втулка SBM Упаковка:

Each glass spigot with 1 cover fitted is wrapped up with one air foam bag to protect from scratches.

Each spigot with foam bag is put into 1 carton box.

4 расширения шт винты и

4 sets timber screws for installation wrapped by thick rubber hose is put together with 1 spigot.

4 маленькие коробочки упакованы в 1 большой картонной коробке.

1 set installation tool allen keys free supplied in 1 big box.

Each big carton box is individually wrapped up with wrapping film & packing tapes.