

Компания Shenzhen Launch была основана в 2004 году, и вот уже 16 лет мы являемся поставщиком золота SGS. Мы надежный производитель и поставщик.

COMPANY INTRODUCTION

Verification Type:  Supplier Assessment  Onsite Check

 Country / Region: Guangdong, China ✓	 Year Established: 2004 ✓	 Main Products: CNC Machining Parts, Stamping Pa... ✓
 Main Markets: North America, Oceania, Mid East... ✓	 Total Annual Revenue: confidential ✓	 Total Employees: 11 - 50 People ✓

Alibaba.com Gold Plus Supplier

Main Product Lines Verification Report

Presented to

Shenzhen Launch Co., Ltd.
深圳市朗驰商贸有限公司

Company Address	B5003, Building 3, Yilida Building, No. 1092 Nanshan Avenue, Dengliang Community, Nanshan Street, Nanshan District, Shenzhen City, Guangdong Province, China
Consigner of Assessment:	Alibaba
Gold Supplier Member ID:	launch168
Gold Supplier Company Name:	Shenzhen Launch Co., Ltd.
Contact Person:	Mr. Binfeng Gao
Phone Number:	0086-13802569770
Fax Number:	0086-755-86372611
Email:	gbf990@china.com
Website Address (URL):	http://launch-china.en.alibaba.com

Service Provided by SGS
Report No.: 19536352_P+T



Alibaba.com Gold Plus Supplier

Verified

Assessment Report

Presented to

Cooperation Company of Shenzhen Launch Co., Ltd.
深圳市朗驰商贸有限公司合作工厂

Gold Supplier & Assessed Company Relationship:	<input type="checkbox"/> Self-owned <input type="checkbox"/> Wholly Owned <input type="checkbox"/> Shareholder/Partner <input type="checkbox"/> Kindred between Owners <input checked="" type="checkbox"/> Cooperation Partner
Company Address	Confidential
City / Country:	Huzhou / China
Consigner of Assessment:	Alibaba & Shenzhen Launch Co., Ltd.
Gold Supplier Member ID:	launch168
Gold Supplier Company Name:	Shenzhen Launch Co., Ltd.
Contact Person:	Confidential
Phone Number:	Confidential
Fax Number:	Confidential
Email:	Confidential
Website Address (URL):	http://launch-china.en.alibaba.com

Service Provided by SGS
Report No.: 19552720_P



WHY CHOOSE US



15 YEARS EXPERIENCE

We have been manufacturing railing hardware since 2004.



ONE STOP SERVICE

We provide integrated railing solutions. We manufacture. We deliver.



PROFESSIONAL R&D TEAM

We have engineering experts for developing new products.



TOP QUALITY & GOOD PRICE

We are strict on quality control as well as cost evaluation.



ABOUT US

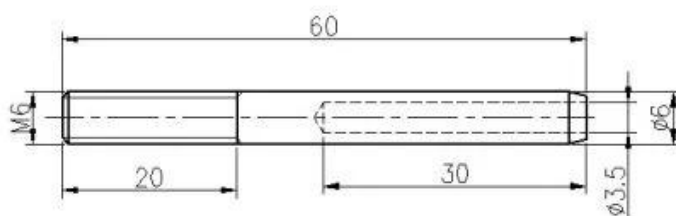
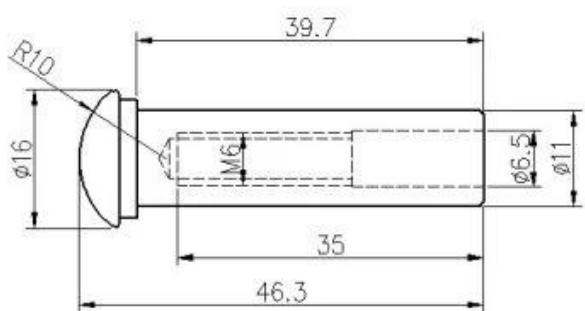
Shenzhen Launch Co., Ltd was established in 2004, located at Nanshan District, Shenzhen, and one hour by car from Hongkong International Airport. Our main products are high-grade building materials including stainless steel balustrade post, staircase handrail, balcony guardrail, swimming pool fence and other high-grade building materials. All the products are designed strictly according to the high-end market requirements. We have our own factory in Tangxia Town, Dongguan, with more than 50 sets of various precision equipments, such as CNC lathe, milling machine, punching machine, pipe cutter, argon welder, drilling machine, polisher, etc. which can provide customers with complete product processing services.

Продукт Показать

Наименование товара	Регулируемый натяжитель троса
Модель №.	T807A
Материал	SS304 / SS316
Чистота поверхности	Атлас / Зеркало / Другое
Диаметр кабеля	3мм, 4мм, 5мм
заявка	Внутренняя и внешняя система кабельных ограждений



Габаритные размеры



Массaproизводство





Фото упаковки



разноетипыизкабельнатяжителинаходятсяимеется в наличии



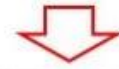
Как установить кабельнатяжитель?

T803 cable fitting, installation instructions

Type 1: without hydraulic crimper



Type 2: with hydraulic crimper



Mount to steel or concrete



Wood screws, for wood mount

Hydraulic crimper



разноечастикстроитьаполныйкабельперила

Кабель:

Доступны 3 мм, 4 мм, 5 мм, 6 мм и другие размеры



Столб для перил кабеля



Square post, vertical mount
40*40mm, 50*50mm recommended



Round post, vertical mount
Dia.: 42.4mm, 50.8mm recommended



Round post, side mount
Dia.: 42.4mm, 50.8mm recommended

ПроектПоказать





KEBIL 科比奥®





Если у вас есть какие-либо вопросы по ним, пожалуйста, свяжитесь со мной

Фрэнк Фэнг

Электронная почта: sales02@launch-china.cn

Телефон / WhatsApp / Wechat: +86159 0626 1741